

(12) INTERNATIONAL APPLICATION PUBLISHED UNDER THE PATENT COOPERATION TREATY (PCT)

(19) World Intellectual Property Organization  
International Bureau



(43) International Publication Date  
12 December 2002 (12.12.2002)

PCT

(10) International Publication Number  
**WO 02/098302 A1**

(51) International Patent Classification<sup>7</sup>: **A61B 17/064**

(21) International Application Number: PCT/IE02/00078

(22) International Filing Date: 4 June 2002 (04.06.2002)

(25) Filing Language: English

(26) Publication Language: English

(30) Priority Data:  
S010547 7 June 2001 (07.06.2001) IE

(71) Applicant and

(72) Inventor: **CUMMINS, Christy** [IE/IE]; 54 Knockowen,  
Tullamore, County Offaly (IE).

(74) Agents: **BROPHY, David** et al.; F.R. Kelly & Co, 27  
Clyde Road, Ballsbridge, Dublin 4 (IE).

(81) Designated States (national): AE, AG, AL, AM, AT, AU,  
AZ, BA, BB, BG, BR, BY, BZ, CA, CH, CN, CO, CR, CU,

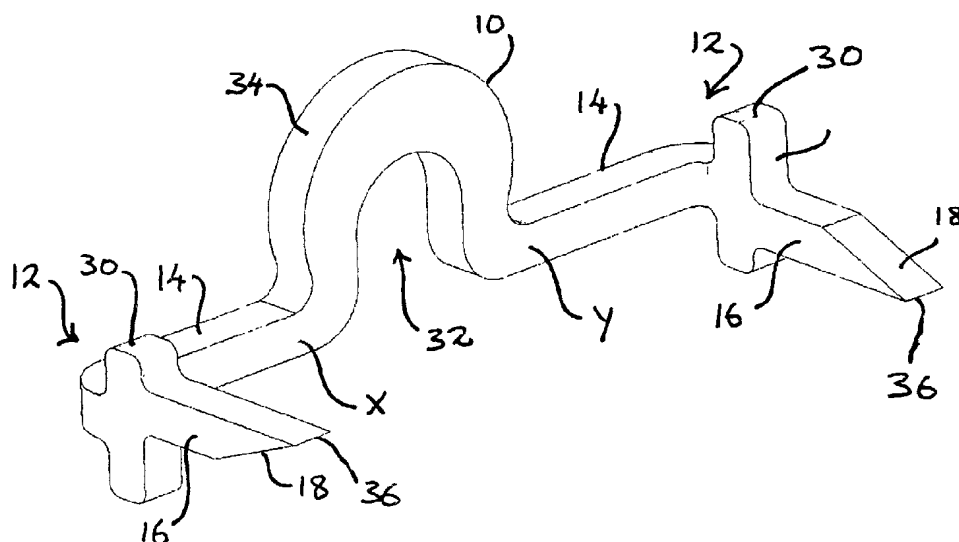
CZ, DE, DK, DM, DZ, EC, EE, ES, FI, GB, GD, GE, GH,  
GM, HR, HU, ID, IL, IN, IS, JP, KE, KG, KP, KR, KZ, LC,  
LK, LR, LS, LT, LU, LV, MA, MD, MG, MK, MN, MW,  
MX, MZ, NO, NZ, OM, PH, PL, PT, RO, RU, SD, SE, SG,  
SI, SK, SL, TJ, TM, TN, TR, TT, TZ, UA, UG, US, UZ,  
VN, YU, ZA, ZM, ZW.

(84) Designated States (regional): ARIPO patent (GH, GM,  
KE, LS, MW, MZ, SD, SL, SZ, TZ, UG, ZM, ZW),  
Eurasian patent (AM, AZ, BY, KG, KZ, MD, RU, TJ, TM),  
European patent (AT, BE, CH, CY, DE, DK, ES, FI, FR,  
GB, GR, IE, IT, LU, MC, NL, PT, SE, TR), OAPI patent  
(BF, BJ, CF, CG, CI, CM, GA, GN, GQ, GW, ML, MR,  
NE, SN, TD, TG).

Published:  
— with international search report

For two-letter codes and other abbreviations, refer to the "Guidance Notes on Codes and Abbreviations" appearing at the beginning of each regular issue of the PCT Gazette.

(54) Title: SURGICAL STAPLE



(57) Abstract: A generally U-shaped surgical staple comprises a base 10 and a pair of generally "L"-shaped legs 12 extending substantially perpendicularly from opposite ends of the base respectively. The legs 12 in use of the staple are bent through approximately 9° relative to the base. To effect a greater compression of the stapled tissue the legs include a penetrative portion 16 adjacent the tip and a compressive structure 30 which, due to its increased height relative to that of the penetrative portion, spreads the compressive forces of the staple further along the length of the incision being closed. The compressive portion also provides a depth stop to avoid the tip penetrating too deeply into the tissue in which it is deployed.



WO 02/098302 A1

### **Surgical Staple**

This invention relates to a surgical staple.

5 Staples have been used in general surgery for many years, mainly for anastomosing tissue. Examples include skin staplers used to close a skin incision in place of the standard manual suturing process, and end-to-end and end-to-side bowel stapling instruments which  
10 are generally one shot devices used during bowel reconstruction procedures.

The staples used with these devices are generally manufactured from a metal or metal alloy material such  
15 as stainless steel or titanium. The majority are constructed from round profile wire and generally produced in a generally 'U'-shaped configuration. The ends of the 'U'-shape are normally pointed or sharpened so as to ensure easy tissue penetration. Examples of  
20 prior art in this area include US Patents 4,505,273, 5,026,390 and 4,719,917.

In clinical use the staples are delivered using a stapler device which generally consists of an anvil  
25 component positioned inside the 'U' between staple legs and in contact with the staple. A former component is positioned on the other side of the staple base, the gap between the forming arms of the former being approximately the width of the anvil plus two times the  
30 diameter of the staple wire. The head of the stapler

device is normally positioned centrally across the slit or opening which is to be closed.

On activation of the device the staple legs are  
5 advanced forward so that they penetrate the tissue on both sides of the slit or opening. As the former is advanced further the legs of the staple bend around the anvil causing the tips of the legs to advance along an arcuate path toward each other so that the staple  
10 ultimately assumes a generally rectangular shape thereby compressing the tissue which has been trapped between the staple legs. This compression of tissue is the mechanism by which a closure is effected.  
Depending on the length of the incision or opening a  
15 series of staples will be delivered along its length in order to ensure a blood tight closure.

While this method of closing an incision is effective when a series of staples are used along the length of  
20 the incision it is less effective when it is desirable to close the opening with the minimum number of staples. For example for an incision of 5-6mm in length one round wire staple positioned centrally along the incision is insufficient to effect a closure as the  
25 compression due to the staple legs only acts in a limited area towards the centre of the incision, leaving the extremities open.

Also in situations where the tissue is soft and friable  
30 the narrow staple leg will have a tendency to tear through the tissue as they are bent around the anvil

thereby decreasing the level of compression between the staple legs and causing unnecessary damage to the vessel wall.

5 In order to avoid complications such as clot formation, it is important to retain the staple legs within the vessel wall, i.e. avoid the penetration of the internal wall on the introduction of a foreign body into the lumen of the vessel. If the staple legs penetrate into  
10 the lumen of the vessel there is the added danger that excessive pressure from the staple gun may cause the vessel to collapse, which can lead to the legs penetrating the opposing vessel wall, i.e. stapling the vessel walls together and blocking the lumen of the  
15 vessel.

Therefore there is a need for an improved surgical staple which will more effectively close an incision, thereby requiring fewer staples to close an incision.  
20 In addition it would be advantageous to profile the staple legs so that they are less inclined to tear through softer tissue. Furthermore, it would be desirable to limit the depth of penetration of the staple legs to prevent the legs entering the lumen of  
25 the vessel.

Accordingly, the present invention provides a surgical staple comprising a base and a pair of legs each extending from an opposite end of the base, each leg  
30 having a penetrative portion terminating at a tip, the staple being deformable to bend each leg relative to

the base causing each tip to approach the other leg along a substantially arcuate path lying in a plane, wherein each leg further comprises a compressive portion located intermediate the base and the  
5 penetrative portion, the compressive portion having a height greater than that of the penetrative portion, said heights being measured in the direction perpendicular to the plane defined by the arcuate path.

10 The advantage of the invention is that the improved surgical staple delivers a significantly increased area of compression between the staple legs once the staple has been deformed in use. The increased area of compression is achieved by providing the compression  
15 portion which tends to increase the contact area between the staple and the tissue against which it is bearing.

The invention is particularly useful in applications  
20 where the staple is permanently implanted inside the body. In such cases it is desirable to minimise the amount of metal which is needed to effect a positive closure. With existing stapler devices a series of staples need to be positioned along the length of the  
25 slit or tissue edges being anastomosed. Staples are normally positioned close together as any one staple will only compress a small amount of tissue on either side. Using staples with an improved compression capacity, as provided by this invention, will mean that  
30 a significantly lower number of staples is required to close any one incision.

The invention also has particular relevance in the area of vascular puncture closure. During this percutaneous procedure it is desirable to close the arterial puncture preferably with one staple. Again it is  
5 desirable that the staple contains the minimum amount of metal. However, it is important that once delivered the staple has generated enough compression along the length of the slit or hole to prevent any blood  
10 leakage. The direction of height of the compression portion normal to the plane of closure of the legs corresponds in use to the direction of length along the incision.

Embodiments of the invention will now be described, by  
15 way of example, with reference to the accompanying drawings, in which:

Fig. 1 is a perspective view of a conventional surgical  
20 staple.

Fig. 2a is a sectional view of an unformed staple in a vessel wall.

Fig. 2b is a sectional view of a partially formed  
25 staple in a vessel wall.

Fig. 2c is a sectional view of a staple fully formed in a vessel wall.

30 Fig. 3a is a plan view of a staple before and after forming.

Fig. 3b is an enlarged view of a staple leg before and after forming.

5 Fig. 4 is a plan view of a staple in position across a tissue opening.

Figs. 5 to 9 are perspective views of embodiments of the invention.

10

Fig. 10 is a plan view of the staple of Fig. 9 in position across a tissue opening.

15 Figs. 11 and 12, Figs. 13 and 14, and Figs. 15 and 16, respectively, are further perspective views of three additional embodiments of staple, each shown before and after forming.

20 In the figures the same reference numerals have been used to indicate the same or equivalent components.

Referring first to Fig. 1, a conventional round wire surgical staple is of a generally 'U'-shaped configuration, consisting of a base 10 and a pair of "L"-shaped legs 12 each having a proximal portion 14 forming a linear extension of the base before use (as shown in Fig. 1) and a distal portion 16 projecting substantially perpendicularly from the proximal portion.

30

The free ends 18 of the staple legs are generally sharpened so as to ensure easy tissue penetration. In addition to penetrating the tissue the staple is also formed in use, to bring the free ends of the legs  
5 together and thereby hold closed a wound. By forming the staple, the staple is transformed from a generally "U"-shaped configuration to a generally rectangular shaped configuration during the delivery process. This occurs by bending the legs 12 through 90° relative to  
10 the base 10 of the staple at the point where the proximal portions of the legs meet the base (known as the bend points and denoted as points X and Y in the drawings) at points relative to the central portion  
10b.

15

Figs. 2(a) to 2(c) are a sequence of views showing the process by which the conventional staple is deployed and deformed from a generally "U"-shape to a generally rectangular shape to effect a closure of a puncture  
20 hole or slit 20 in a vessel or other tissue 22. In Fig. 2a the staple has been advanced from the delivery device (not shown) such that the distal portions of the staple legs 16 have punctured the tissue 22 and the staple base 10 and proximal portions 14 are lying  
25 against the outer surface of the tissue. In Fig. 2b the forming process has begun and the staple is being deformed around bend points X and Y causing the proximal portions 14 and distal portions 16 to arc through an angle of approximately 90° thereby  
30 compressing the tissue which is being captured between both staple legs. In Fig. 2c the staple has been



fully formed into a rectangular shape, the tissue contained within the rectangle being compressed as a result of the staple legs having arced through approximately 90°.

5

In Figs. 3a and 3b, the staple is shown prior to forming (dashed lines) and after forming (solid lines). As seen particularly in Fig. 3b, it can be seen that prior to forming and following penetration of the staple leg 12 into the tissue wall that there is an area of tissue captive in the region (c). After the forming process, i.e. when proximal portion 14 and distal portion 16 have arced through 90° at the bend point Y, the tissue which was previously captive at point (c) has now moved to point (d). The same process of compression occurs on the opposite leg of the staple thereby creating compressed tissue 24 (Fig. 4) within the rectangular shape of the formed staple.

20 In Fig. 4, the same compression process can be seen in plan view, the tissue which was captive inside the legs 12 at points (c) prior to forming has been moved to point (d) as a result of the staple forming process. However, the level of compression which has transferred to the hole 16 in the tissue is related to the area of surface contact between the staple leg and the tissue at points (c) and (d). With conventional round wire staples this contact area is quite small and therefore delivers a limited amount of compression over the length of the hole opening or slit in the tissue. Also, with round wire and leg to cut its way through

softer tissue as opposed to compressing the tissue ahead of it.

The invention solves this problem by increasing the height of a portion of the legs 12 (i.e. the height being the dimension perpendicular to the plane in which the staple legs bend during forming), in order to increase the effective contact area between the staple legs and the tissue as the staple is being deformed. Increasing the contact area in this way will help prevent the staple leg from tearing its way through the tissue but more importantly will create a much greater area of compression within the rectangle of the formed staple and radiating from it, so that this compression will be transferred over a much greater length of the slit or opening 20 in the tissue.

Fig. 5 is a perspective view of a first embodiment of surgical staple according to the invention. Here the proximal portion 14 of the legs of the conventional round wire staple described above have been deformed from a round to a flat, rectangular cross-section, providing a compressive portion located between the penetrative portion of the legs (which in this case is the entire proximal portion 16). As mentioned, the purpose of this compressive portion is to increase the surface contact area between the staple legs and tissue in the direction in which the tissue is being compressed as the staple leg arcs through approximately 90° at its bend point.

Fig. 6 shows another embodiment, in which the staple legs have been divided along the axis of the proximal portions and the opposite divisions 14' and 14" deformed apart so as to significantly increase the overall height of the proximal portions of the legs.

In Fig. 7 another round wire embodiment of the staple is shown. In this staple the wire in the proximal portion 14 of each leg is bent sinusoidally out of alignment with the base 10 to provide a compressive portion whose height  $H$  is significantly greater than the height  $h$  of the penetrative portion of the leg 16, again for the purpose of increasing the area of compression, and preventing the proximal portion from entering the wound. In the latter regard, it can be seen that the leading section 28 of the sinusoidally bent proximal portion extends generally at right angles from the penetrative portion 16. This provides a slightly rounded step or shoulder to act as a depth stop, defining the end of the penetrative portion of the leg and the start of the compressive portion.

Fig. 8 shows an embodiment which consists of a standard round wire staple with flat plates or wings 30 attached to the proximal portion of the legs. Fig. 9 shows another staple similar to that of Fig. 9 which is manufactured from flat metal stock and bent. Again the staple legs include wings 30 such that the height of these wings is significantly greater than the height of the penetrative portion 16 of the staple legs.

The process by which these improved staples achieve greater areas of compression over the length of an opening in body tissue is illustrated in Fig. 10. Fig. 11 shows a staple of the kind illustrated in Fig. 9 but the same principle applies to all the staples of Figs. 5 to 9. It can be seen that as the staple legs move from their open position at 'A' to their closed position at 'B' tissue 24 is compressed ahead of the wings 30 and this compression radiates over a much greater length of the slit or opening 20 than would be the case if the wings were not attached to the staple legs.

Fig. 11 shows a staple stamped from a flat sheet and bent into its initial configuration (rather than a wire staple as previously described). The base 10 of the staple is horseshoe shaped rather than a flat linear base. The horseshoe shape defines a "U"-shaped opening 32 which allows the staple to sit on top of a blood locator tube extending from the end of a stapler. Such a stapler is described in WO 02/19922.

The stapler of WO 02/19922 takes the form of a hollow shaft and a blood locator tube slidable axially within the shaft. The tube projects beyond the end of the shaft to enter a puncture site in a blood vessel, and blood flowing back through the tube and exiting the device indicates to the surgeon that the tip of the shaft (where the stapling head is located) is at the incision in the vessel. A surgical staple straddles the tube and is slidable thereon forwardly towards an

anvil against which the staple may be deformed to  
staple together the opposite edges of the puncture  
site. A cam mechanism drives the staple forwardly  
along the tube into deforming engagement with the anvil  
5 and at the same time retracts the tube into the shaft  
in time to allow the legs of the staple to close onto  
the puncture site.

The staple of Fig. 11 is adapted for use with such a  
10 device in that "U"-shaped opening 32 is adapted to  
straddle and slide on the blood locator tube.

The staple has a pair of legs 12 extending from the  
ends of the base 10. Each leg is generally "L"-shaped  
15 in plan view and comprises a proximal portion 14 and a  
distal portion 16 terminating at a pointed tip 18. In  
use (see also Fig. 12), the base 10 is held by an anvil  
(not shown) while forming arms of the stapler (not  
shown) push the proximal portions forwardly deforming  
20 the staple at bend points X and Y. The blood locator  
tube is withdrawn during this formation to ensure that  
as the tips 18 approach one another (ultimately coming  
to rest in the configuration of Fig. 12), they do not  
catch the locator tube.

25

Located on the distal portion 16 is a compressive  
portion 30 in the form of a bar extending at right  
angles to the distal portion. In this staple,  
therefore, the compressive portion and the penetrative  
30 portion are both located on the distal portion of the  
"L"-shaped leg. The penetrative portion is the part of

the leg extending from the bar 30 to the tip 18. The forward surface 30a of the bar provides a shoulder acting as a depth stop to prevent the leg penetrating the vessel wall too deeply. This feature can be used  
5 to ensure that the tip will not penetrate into the lumen of a blood vessel by designing the staple such that the distance between the front surface 30a and the extremity of the tip 18 is less than the vessel wall thickness. The bar also serves as a compressive  
10 feature spreading the compressive forces provided by the staple along a length of the incision corresponding to the height H of the bar 30 (Fig. 12) as opposed to just the lesser height h of the penetrative portion. The compression is also increased by the relatively  
15 small distance between the bars 30 when the staple is closed.

By making the staple from a sheet material rather than from wire, another significant advantage is obtainable.  
20 The thickness of the material of the base (measured between the internal surface of the opening 32 and the corresponding external surface 34) is not constant but instead increases to a maximum at the apex of the horseshoe. This strengthens the structure against a  
25 tendency for the curve to distort as the staple is being formed. It has been found that the action of the former and anvil bending the legs relative to the base tends to cause the horseshoe curve to open out or flatten somewhat. It will be appreciated that this can  
30 lead to the staple deploying incorrectly, as the legs tend to deviate from the "straight-ahead" orientation

during closure. Adding extra material to the curve toward the top selectively reinforces the curve at this point of maximum strain during forming and counteracts the tendency to distort.

5

Another important feature of the staple of Figs. 11 and 12 is that the staple is not symmetrical about the centre line. The penetrative portions 16 are staggered vertically relative to one another so that one is  
10 disposed slightly above the line of the proximal portions and the other slightly below this line.

In addition, the respective tips 18 are bevelled oppositely to one another so that the leading edge 36  
15 of the tip on the left-hand penetrative portion (as viewed in Fig. 11) is significantly above the leading edge 36 of the right-hand tip. This double offset (staggering the respective penetrative portions and reversing the bevelling of the tips) allows the two  
20 legs to close completely, so that the tips approach one another and pass one another when the staple is formed, providing greater compression and more reliable closure.

25 Figs. 13 and 14 show a further embodiment of staple in open and closed configurations. The staple again has a base 10 with a leg 12 extending from each end. The base is horseshoe shaped, but in this case rather than there being additional material at the apex of the  
30 horseshoe curve, the curve assumes a slight omega ( $\Omega$ )

shape with the ends of the curve pointing inwards to counteract straightening tendencies.

Each leg 12 branches to a pair of tips 18 each having a penetrative portion 38. The two penetrative portions on each leg extend from the ends of a respective compressive portion 30 in the form of a curved bar which is generally perpendicular to both the proximal portion 14 and the penetrative portions 38. The bar 30 provides a shoulder acting as a depth stop and acts to spread the compressive forces of the staple along its length.

It can be seen from Fig. 14 that the legs are once again asymmetrical with respect to one another. The penetrative portions 38 of the left-hand leg are both longer and further separated from one another than those of the right-hand leg. Again this ensures that the two legs do not interfere with one another during closure and that the staple can form a fully closed structure when viewed in plan (see by comparison Fig. 2C in which there is a gap between the respective tips of the prior art staple, and the curve appears open in plan as a consequence.

25

The reason for the curvature of the bars 30 in the embodiment of Figs. 13 and 14 is that the stapler for which it is designed has a round profile. In general it is desired to make the cross-sectional area of the stapler shaft as small as possible to minimise trauma arising from the introduction of the stapler. The

30



shape of this embodiment of staple therefore allows the staple to fit in a rounded shaft while allowing the compressive portions (bars 30) to grip the sides of the wound as widely as possible, as will be appreciated  
5 with reference to Fig. 10.

Figs. 15 and 16 provide yet another embodiment in which the penetrative portions 38 of the legs 12 extend between the tip 18 and a shoulder of a compressive  
10 portion of the leg which in this case is provided by a disk 40 mounted on the distal portion of each leg.

The embodiments described herein have "L"-shaped legs with a roughly 90° angle between proximal and distal  
15 sections. It will be noted that the compressive section can be on either the proximal section or the distal section. Furthermore, the legs need not take this "L"-shape and can instead be curved (e.g. in a quarter-circle), with the portion of leg adjacent the  
20 tip defining a penetrative portion and a compressive structure being located further along the curve towards the base.

To aid in staple formation the point at which the legs  
25 join the base can be weakened or provided by a notch, but in most cases this is unnecessary as the deformation between the anvil and former will cause the legs to bend correctly at the junction with the base.

The invention is not limited to the embodiments described herein which may be modified or varied without departing from the scope of the invention.

**Claims**

1. A surgical staple comprising a base and a pair of legs each extending from an opposite end of the base, each leg having a penetrative portion terminating at a tip, the staple being deformable to bend each leg relative to the base causing each tip to approach the other leg along a substantially arcuate path lying in a plane, wherein each leg further comprises a compressive portion located intermediate the base and the penetrative portion, the compressive portion having a height greater than that of the penetrative portion, said heights being measured in the direction perpendicular to the plane defined by the arcuate path.
2. A surgical staple as claimed in claim 1, wherein the compressive portion has a cross-sectional area greater than that of the penetrative portion.
3. A surgical staple as claimed in claim 1 or 2, wherein the compressive portion comprises a shoulder from which the penetrative portion extends.
4. A surgical staple as claimed in claim 3, wherein the shoulder is defined by an elongate member disposed substantially perpendicular to the penetrative portion.
5. A surgical staple as claimed in any preceding claim, wherein each leg branches to two or more penetrative portions each terminating at a respective tip, the penetrative portions being connected by said compressive structure.

6. A surgical staple as claimed in claim 5, wherein each leg comprises a proximal portion connected to the base, said compressive structure being in the form of a bar substantially perpendicular to said proximal portion, and said penetrative portions extending from the ends of said bar substantially perpendicular thereto.

7. A surgical staple as claimed in any preceding claim, wherein the leg is generally "L"-shaped having a proximal portion connected to the base and a distal portion including said penetrative portion, said proximal and distal portions being connected at an angle of 70-110 degrees and lying substantially within said plane.

8. A surgical staple as claimed in claim 7, wherein said angle is approximately 90 degrees.

9. A surgical staple as claimed in claim 7 or 8, wherein the penetrating portions are round in cross-section and the compressive portions are substantially flat in cross-section, the flat surfaces of the proximal section extending in said direction of measurement of height.

10. A surgical staple as claimed in claim 9, wherein the staple is formed from a length of round wire and said compressive portions are formed by flattening a length of said wire forming part of each leg.

11. A surgical staple as claimed in claim 10, wherein the flat portions are plates attached to a round wire staple.

5 12. A surgical staple as claimed in claim 1, wherein the staple is cut from flat metal stock and bent.

13. A surgical staple as claimed in claim 1, wherein the compressive portions comprise sections of elongate  
10 material bent out of alignment with the penetrative portions.

14. A surgical staple as claimed in claim 13, wherein the bent portions are sinusoidal.

15

15. A surgical staple as claimed in claim 1, wherein the legs are divided and opposite divisions bent in opposite directions to provide said compressive portions.

20

16. A surgical staple as claimed in claim 1, wherein the penetrative portion on one leg is staggered in the direction of measurement of height from the penetrative portion of the other leg, whereby the staple is  
25 deformable in a manner which allows the respective tips to approach and pass one another, each moving in a different but substantially parallel plane.

17. A surgical staple as claimed in any preceding  
30 claim wherein the base is in the form of a horseshoe

shape extending in the direction of measurement of height.

18. A surgical staple as claimed in claim 17, wherein  
5 the thickness of the base varies about the curve of the horseshoe shape, with a greater thickness at the apex than at the sides.

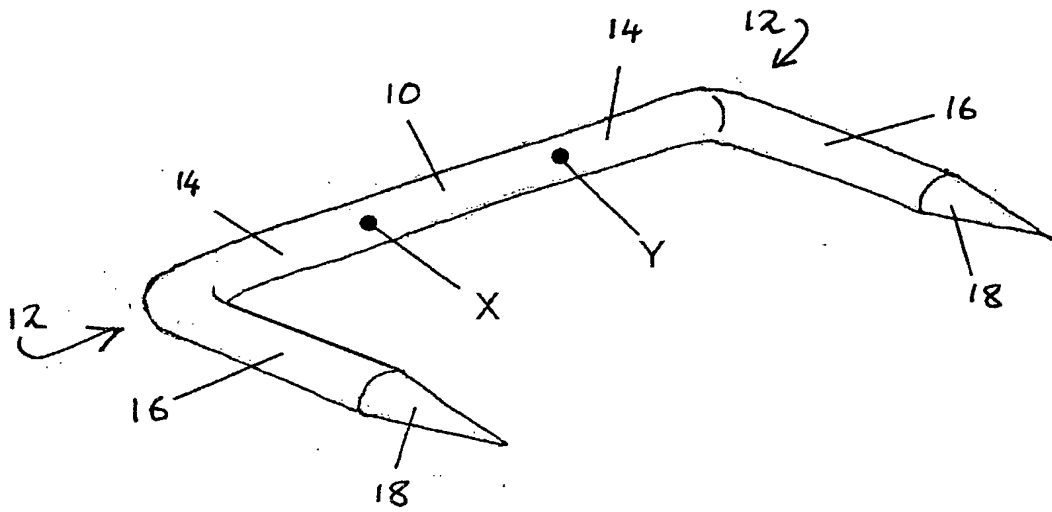


Fig. 1

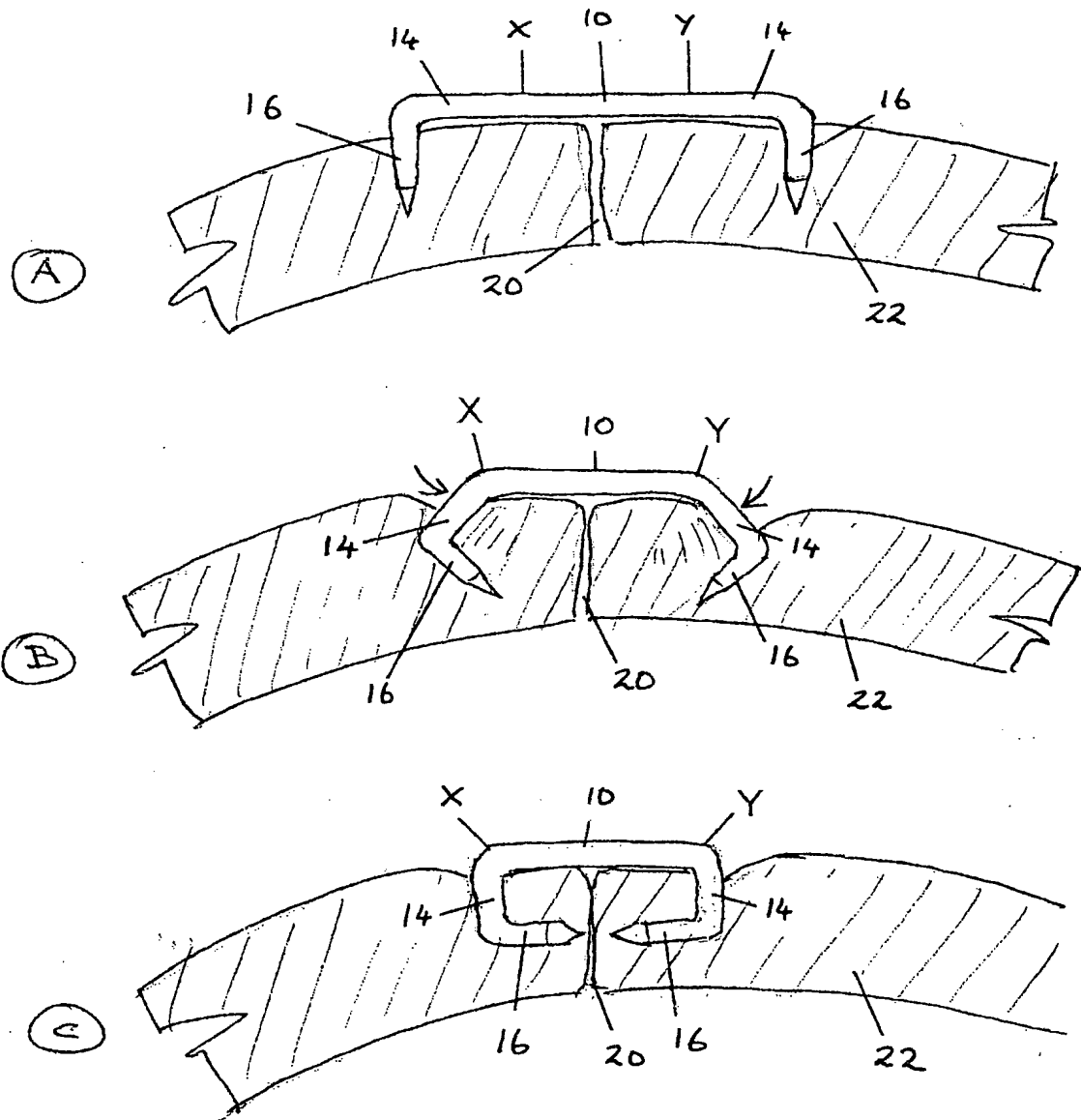


Fig. 2

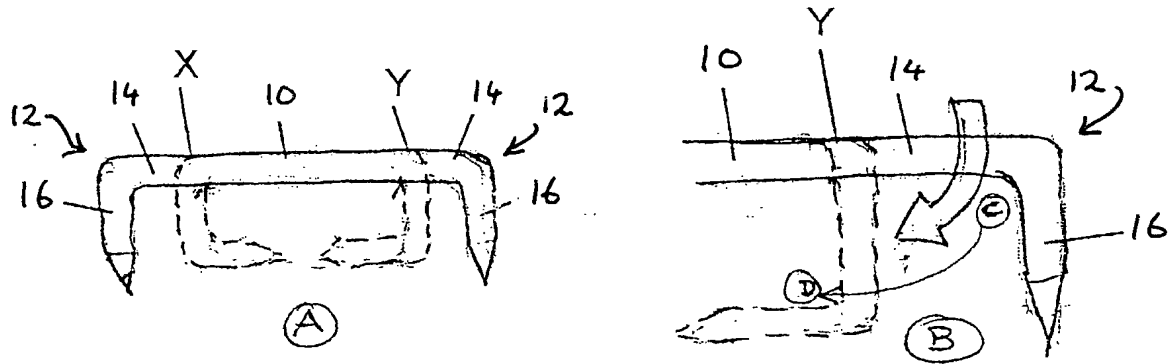


Fig. 3

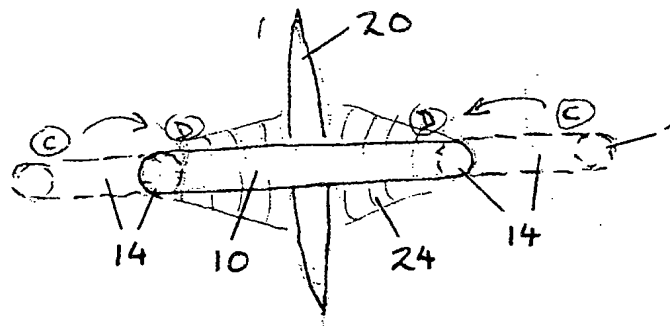


Fig. 4

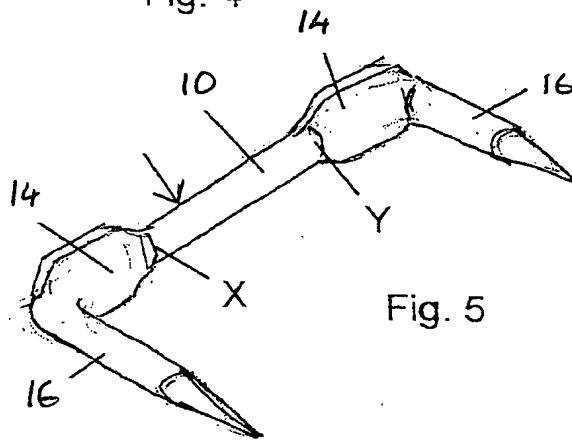


Fig. 5



Fig. 6

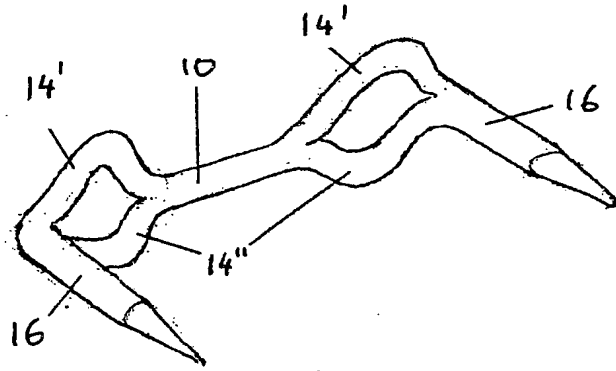


Fig. 7

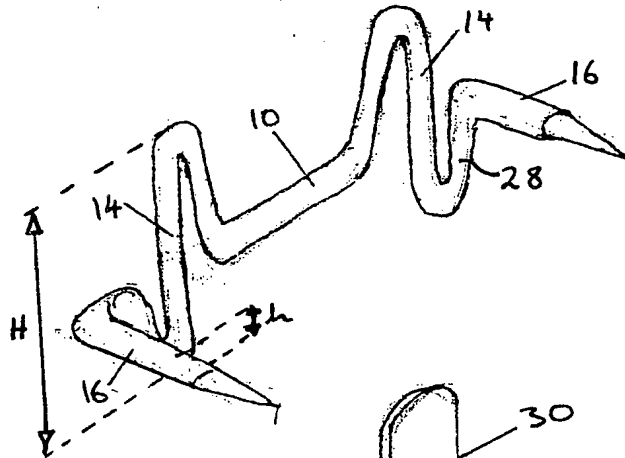


Fig. 8

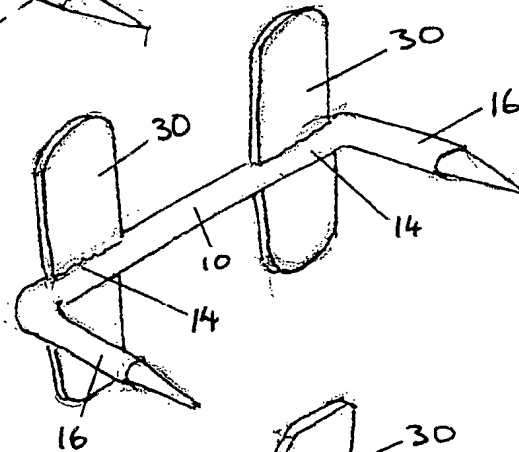
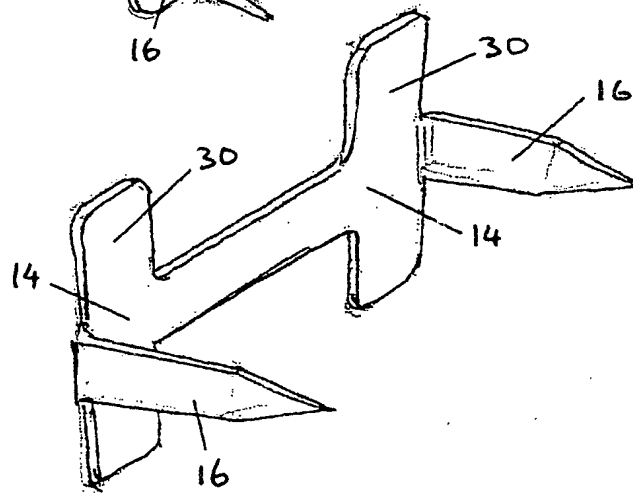


Fig. 9



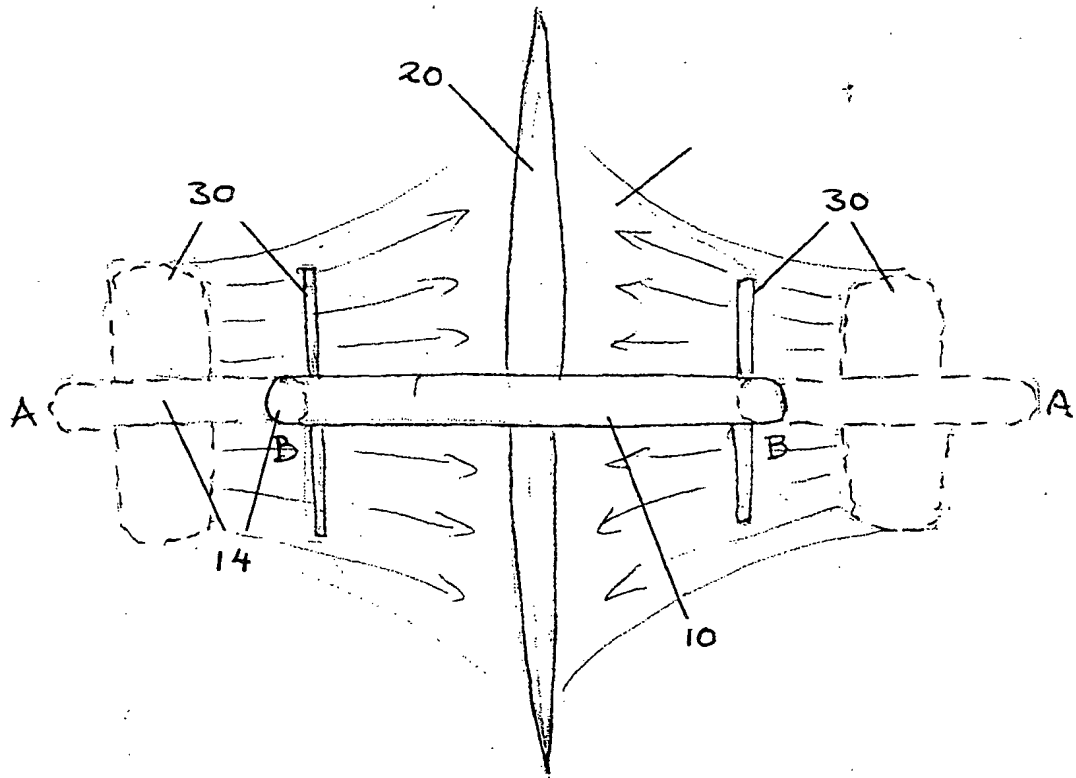


Fig. 10

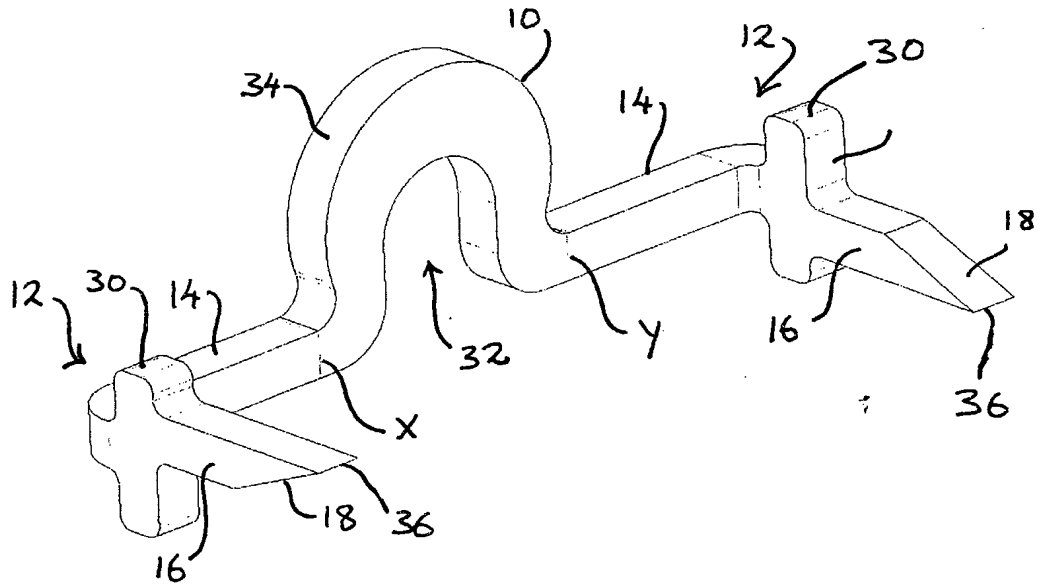


Fig. 11

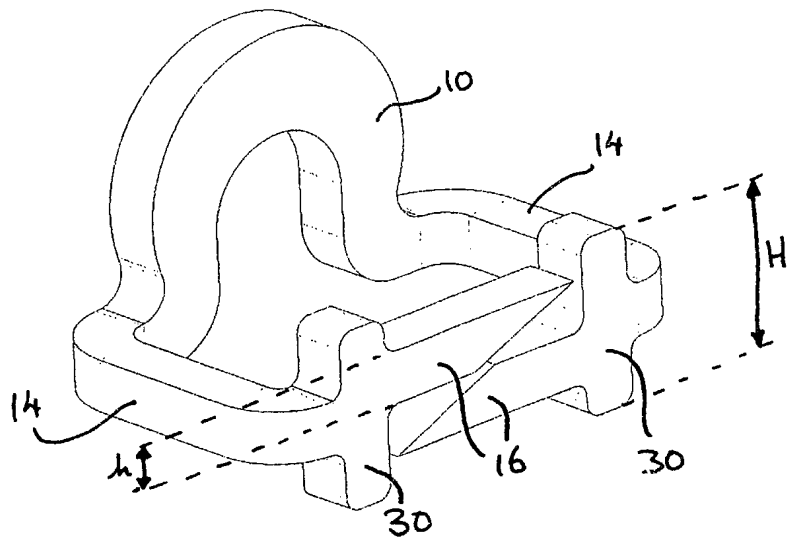


Fig. 12

Fig. 13

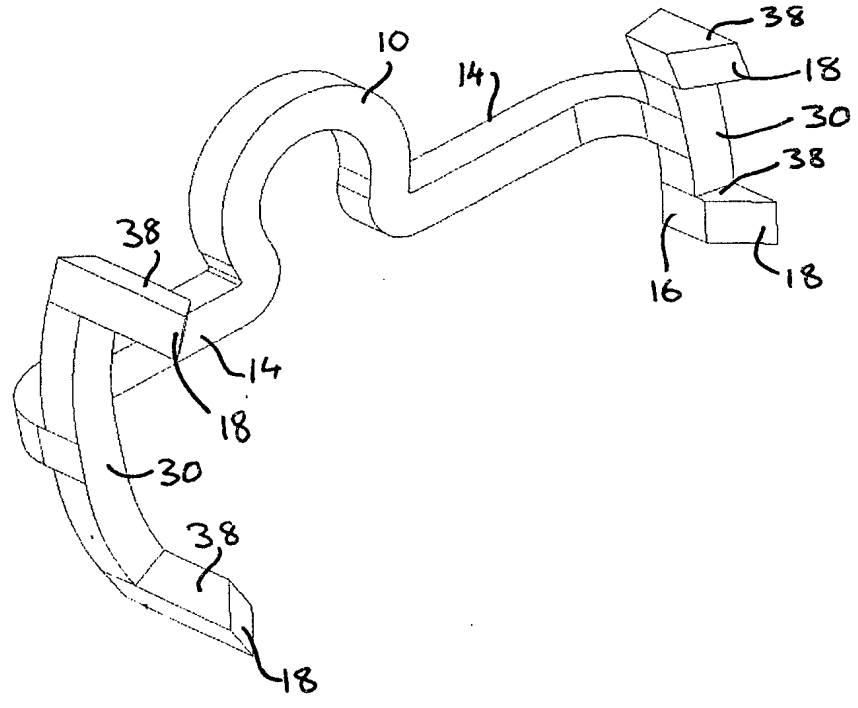
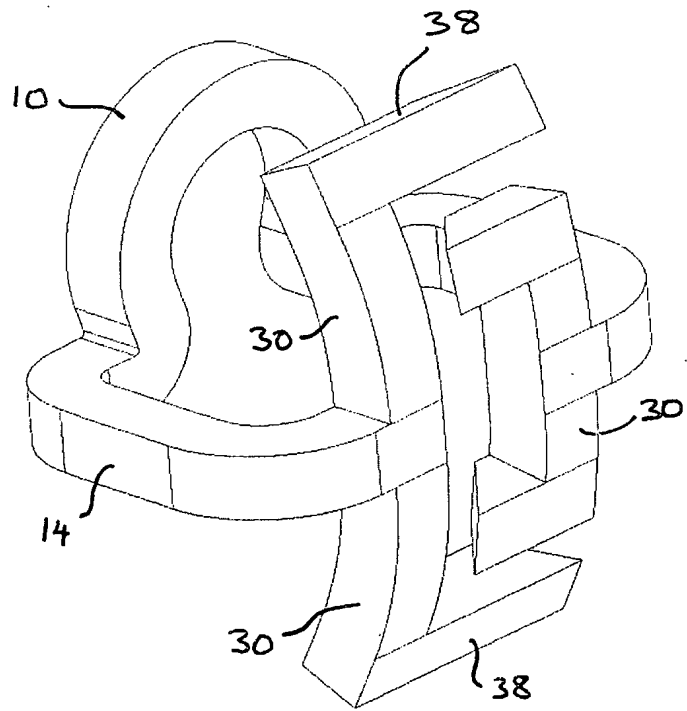


Fig. 14



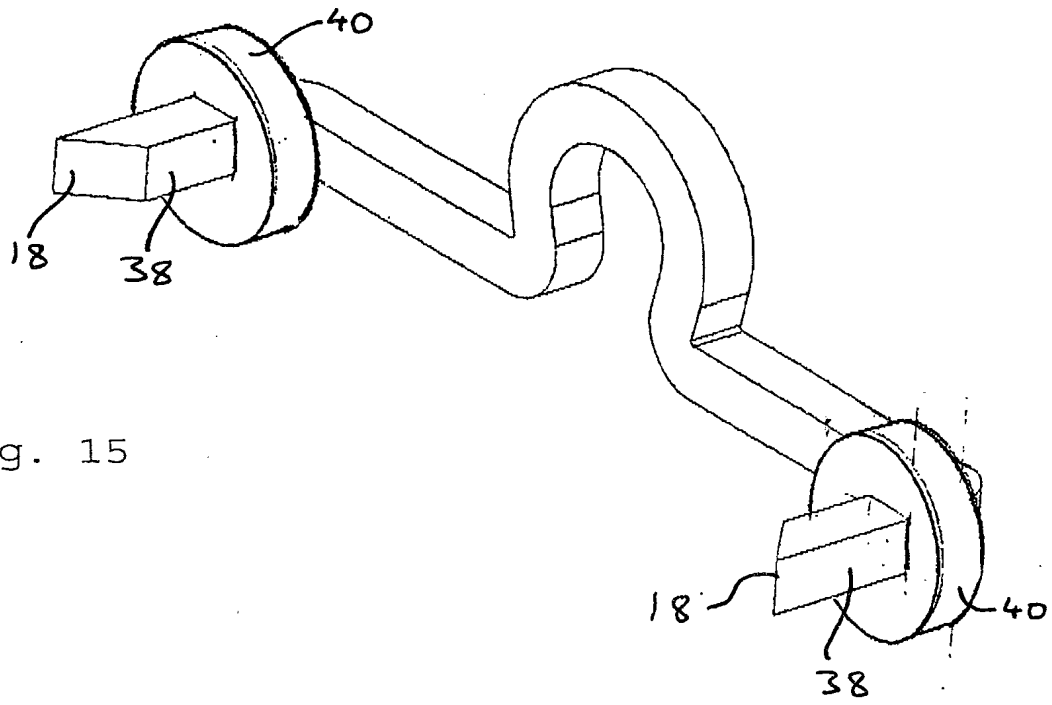


Fig. 15

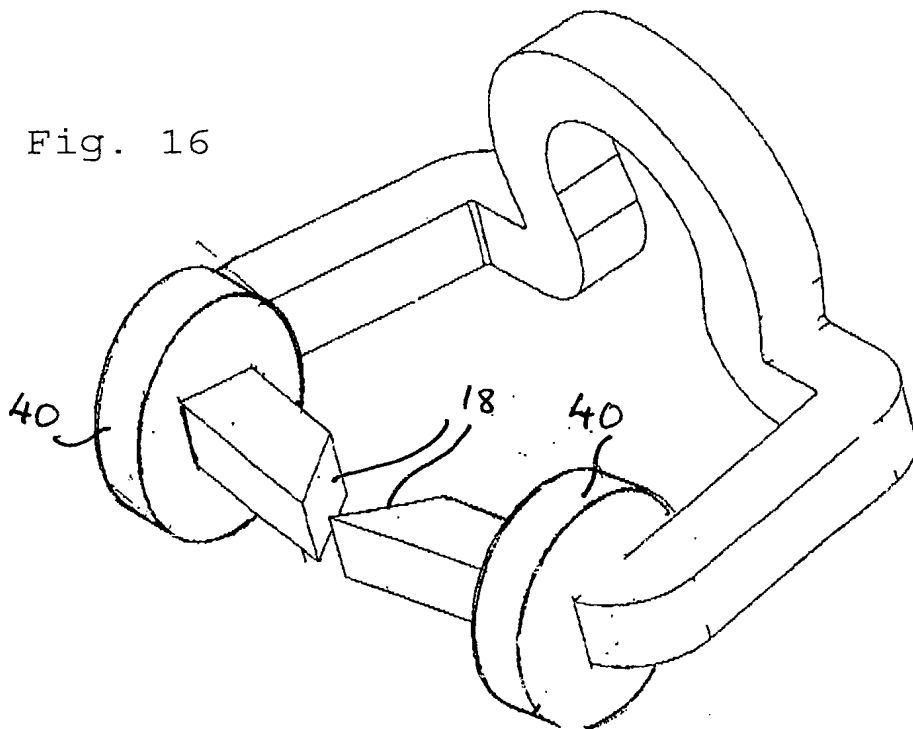


Fig. 16

## INTERNATIONAL SEARCH REPORT

International Application No  
PCT/IE 02/00078A. CLASSIFICATION OF SUBJECT MATTER  
IPC 7 A61B17/064

According to International Patent Classification (IPC) or to both national classification and IPC

## B. FIELDS SEARCHED

Minimum documentation searched (classification system followed by classification symbols)  
IPC 7 A61B

Documentation searched other than minimum documentation to the extent that such documents are included in the fields searched

Electronic data base consulted during the international search (name of data base and, where practical, search terms used)

EPO-Internal, WPI Data, PAJ

## C. DOCUMENTS CONSIDERED TO BE RELEVANT

Category °	Citation of document, with indication, where appropriate, of the relevant passages	Relevant to claim No.
X	GB 2 075 144 A (ETHICON INC) 11 November 1981 (1981-11-11)	1-3,7-9
Y	page 2, left-hand column, line 5 - line 19; figure 1	5,16,17
A	---	4-6, 10-15,18
Y	US 4 610 251 A (KUMAR SARBJEET S) 9 September 1986 (1986-09-09)	5
A	column 3, line 26 - line 38; figure 1	15
Y	DE 297 23 736 U (WURSTER HELMUT DIPL ING) 18 February 1999 (1999-02-18)	16
	page 7, paragraph 2; figures 6,7	
	---	
	-/--	

 Further documents are listed in the continuation of box C. Patent family members are listed in annex.

° Special categories of cited documents :

- \*A\* document defining the general state of the art which is not considered to be of particular relevance
- \*E\* earlier document but published on or after the international filing date
- \*L\* document which may throw doubts on priority claim(s) or which is cited to establish the publication date of another citation or other special reason (as specified)
- \*O\* document referring to an oral disclosure, use, exhibition or other means
- \*P\* document published prior to the international filing date but later than the priority date claimed

- \*T\* later document published after the international filing date or priority date and not in conflict with the application but cited to understand the principle or theory underlying the invention
- \*X\* document of particular relevance; the claimed invention cannot be considered novel or cannot be considered to involve an inventive step when the document is taken alone
- \*Y\* document of particular relevance; the claimed invention cannot be considered to involve an inventive step when the document is combined with one or more other such documents, such combination being obvious to a person skilled in the art.
- \*G\* document member of the same patent family

Date of the actual completion of the international search

10 September 2002

Date of mailing of the international search report

18/09/2002

Name and mailing address of the ISA

European Patent Office, P.B. 5818 Patentlaan 2  
NL - 2280 HV Rijswijk  
Tel. (+31-70) 340-2040, Tx. 31 651 epo nl,  
Fax: (+31-70) 340-3016

Authorized officer

Mayer, E

## INTERNATIONAL SEARCH REPORT

International Application No  
PCT/IE 02/00078

C.(Continuation) DOCUMENTS CONSIDERED TO BE RELEVANT		
Category °	Citation of document, with indication, where appropriate, of the relevant passages	Relevant to claim No.
Y	<p>DATABASE WPI Section PQ, Week 200120 Derwent Publications Ltd., London, GB; Class P31, AN 2001-203165 XP002199926 &amp; ZA 200 100 528 A (ANTHONY T), 28 February 2001 (2001-02-28) abstract</p> <p style="text-align: center;">---</p>	17
A	<p>WO 00 56228 A (ZIMET NACHMAN ;KEREN DVIR (IL); KILEMNIK IDO (IL); LOSHAKOVE AMIR) 28 September 2000 (2000-09-28) abstract; figure 1</p> <p style="text-align: center;">---</p>	1
A	<p>US 5 246 443 A (MAI CHRISTIAN) 21 September 1993 (1993-09-21) abstract; figure 5</p> <p style="text-align: center;">---</p>	1
A	<p>EP 0 386 361 A (ETHICON INC) 12 September 1990 (1990-09-12) column 4, line 45 -column 5, line 4; figure 3A</p> <p style="text-align: center;">---</p>	13,14,17
A	<p>US 5 984 949 A (LEVIN JOHN M) 16 November 1999 (1999-11-16) figures 9-11</p> <p style="text-align: center;">-----</p>	5,6,15

## INTERNATIONAL SEARCH REPORT

Information on patent family members

International Application No

PCT/IE 02/00078

Patent document cited in search report		Publication date	Patent family member(s)	Publication date
GB 2075144	A	11-11-1981	CA 1162127 A1 DE 3117277 A1 FR 2481594 A1 JP 56168737 A US 4428376 A	14-02-1984 24-06-1982 06-11-1981 25-12-1981 31-01-1984
US 4610251	A	09-09-1986	NONE	
DE 29723736	U	18-02-1999	DE 19711288 A1 DE 29723736 U1	01-10-1998 18-02-1999
ZA 200100528	A	19-01-2001	AU 8800601 A AU 8800801 A AU 8800901 A WO 0219915 A1 WO 0219920 A1 WO 0219922 A1 US 2002047035 A1 US 2002049456 A1 US 2002049472 A1	22-03-2002 22-03-2002 22-03-2002 14-03-2002 14-03-2002 14-03-2002 25-04-2002 25-04-2002 25-04-2002
WO 0056228	A	28-09-2000	AU 1583500 A AU 3313600 A AU 3313800 A AU 7552500 A AU 7552700 A BR 0009172 A CN 1353594 T EP 1171044 A1 WO 0056227 A1 WO 0056228 A1 WO 0141623 A2	09-10-2000 09-10-2000 09-10-2000 18-06-2001 18-06-2001 18-12-2001 12-06-2002 16-01-2002 28-09-2000 28-09-2000 14-06-2001
US 5246443	A	21-09-1993	FR 2668361 A1 AU 641556 B2 AU 8676791 A EP 0488906 A1 NZ 240371 A	30-04-1992 23-09-1993 07-05-1992 03-06-1992 26-08-1993
EP 0386361	A	12-09-1990	CA 2000360 A1 EP 0386361 A1 GR 89100652 A IE 893270 L PT 91958 A	11-04-1990 12-09-1990 29-11-1990 11-04-1990 30-04-1990
US 5984949	A	16-11-1999	NONE	